

Global Patent Prosecution Highway Pilot Programme
Guidelines for Filing a Request at the Intellectual Property Office of Singapore
Relying on the National Search & Examination Results from other Offices

1. Background

- 1.1 With effect from 1 November 2014, the Intellectual Property Office of Singapore (IPOS) has joined the Global Patent Prosecution Highway (GPPH) network and is a participating office of the GPPH pilot programme. Under the GPPH pilot, a request for accelerated examination of an IPOS patent application (IPOS application) can be made by relying on the patent search and examination results (national work products) established by any of the other GPPH participating offices. These offices are known as Offices of Earlier Examination (OEE).
- 1.2 A list of the GPPH participating offices can be found in Annex I.

2. Requirements for requesting accelerated examination of an IPOS patent application

- 2.1 Both the IPOS application for which acceleration is requested and the OEE application(s) forming the basis of the GPPH request shall have the same earliest date (whether this is a priority date or a filing date).
- 2.2 The OEE application has at least one claim that is determined to be allowable/patentable by the OEE.
- 2.3 All claims in the IPOS application must sufficiently correspond or be amended to sufficiently correspond to one or more of the claims found allowable/patentable by the OEE. Claims will be considered to sufficiently correspond where, accounting for differences due to translations and claim format, the claims are of the same or similar scope, or the claims are narrower in scope. In this regard, a claim that is narrower in scope occurs when a claim in the IPOS application is amended to be further limited by an additional technical feature that is supported in the specification
- 2.4 Examination has not begun on the IPOS application.
- 2.5 Diagrams depicting a list of scenarios in which a request for accelerated examination of the IPOS application under the GPPH pilot programme can be made are found in Annex II. This list of scenarios is non-exhaustive.

3. Procedures for requesting accelerated examination of an IPOS patent application

- 3.1 File duly completed Patents Form 11 (Request for Search and Examination Report) or Patents Form 12 (Request for Examination Report). These forms can be found at: <https://www.ip2.sg/RPS/WP/Default.aspx> (electronic versions for online filing) and <http://www.ipos.gov.sg/Services/FilingandRegistration/FormsandFees/Patents.aspx> (downloadable versions for paper filing).
- 3.2 The Patents Form 11 or Patents Form 12 must be accompanied by:
- (a) a copy of all office actions of the OEE application being relied upon;
 - (b) a copy of the allowable/patentable patent claims referred to in (a) above; and

- (c) a claims correspondence table showing the relatedness of the allowable/patentable claims referred to in (a) above to the claims in the current IPOS application. The format of the Claims Correspondence Table is found in Annex III.
- 3.3 If the documents listed in (a) and (b) above are available in the OEE Dossier Access System, they need not be filed with the Patents Form 11 or Patents Form 12. A list of the available Dossier Access Systems is found in Annex IV.
- 3.4 For avoidance of doubt, a copy of the patent grant without the documents listed in (a), (b) and (c) above will not qualify for the GPPH.
- 3.5 The checkbox for “ASPEC/PPH” must be selected in the Patents Form 11 or Patents Form 12.
- 3.6 If the request for GPPH is sought after the Patents Form 11 or Patents Form 12 is filed, the request together with any supporting documents must be made in writing to IPOS. An email must also be sent to IPOS at pph@ipos.gov.sg on the same day the request is submitted to IPOS. The email must contain in its subject, the title "GPPH acceleration requested".
- 3.7 Any subsequent correspondences with IPOS must also be marked with the phrase “GPPH acceleration requested”.

4. Cited Documents

A copy of each of the documents cited in the documents submitted under paragraph 3.2 (a) is not required at the time of filing the GPPH request. IPOS may, however, require the applicant to furnish a copy of any document cited subsequently.

5. Translations

- 5.1 The documents in paragraph 3.2 must be accompanied by an English translation if they are not originally in English, at the time of filing the GPPH request.
- 5.2 The documents in paragraph 4 may be filed in their original language. However, IPOS may subsequently request for an English translation of a document or a part of a document if an English abstract of the cited document is not available.
- 5.3 If it is not possible for IPOS to understand the English translation of any document, IPOS can request the applicant to resubmit the English translation of that document.

6. Examination of IPOS patent application under the GPPH pilot

- 6.1 IPOS will treat a GPPH request as a request for accelerated examination under the GPPH pilot programme. The IPOS application will be examined in accordance with the Singapore Patents Act (Cap. 221) and the Singapore Patents Rules. The legislations can be found at: <http://www.ipos.gov.sg/AboutIP/IPLegislation.aspx>
- 6.2 Applicants should seek professional advice on patent matters in Singapore, in particular, with reference to section 30 (Grant of patent) and section 69 (Restrictions on relief for infringement) of the Singapore Patents Act (Cap. 221).

7. Enquiries

For enquiries relating to the Global Patent Prosecution Highway pilot programme, please send an email to pph@ipos.gov.sg .

INTELLECTUAL PROPERTY OFFICE OF SINGAPORE

Date: 1 November 2014

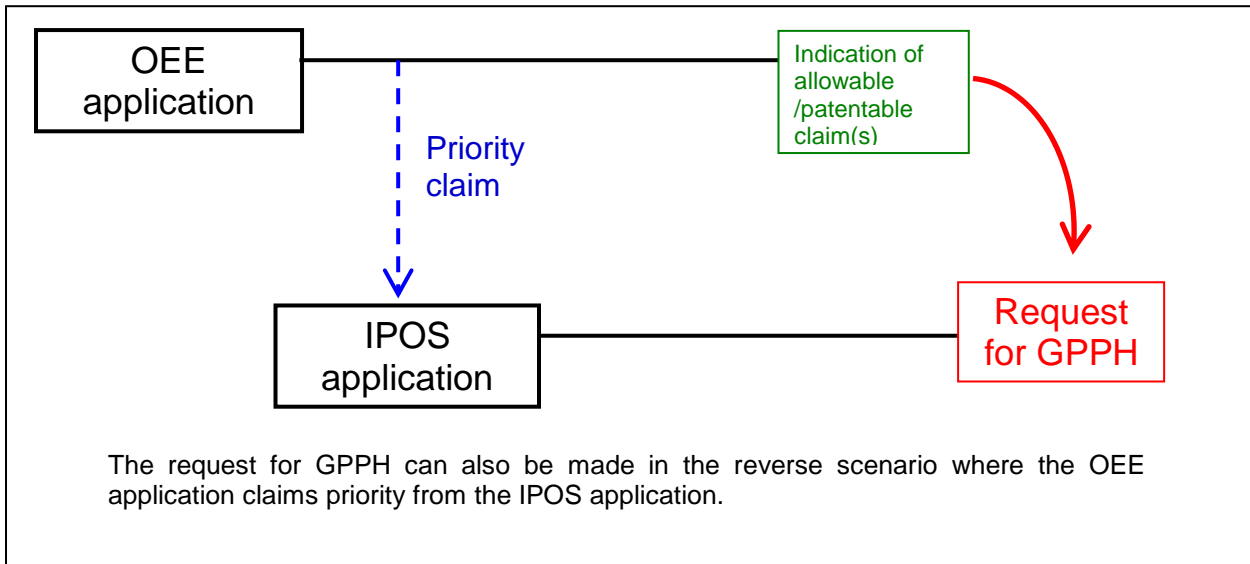
Last updated: 12 July 2017

Annex I

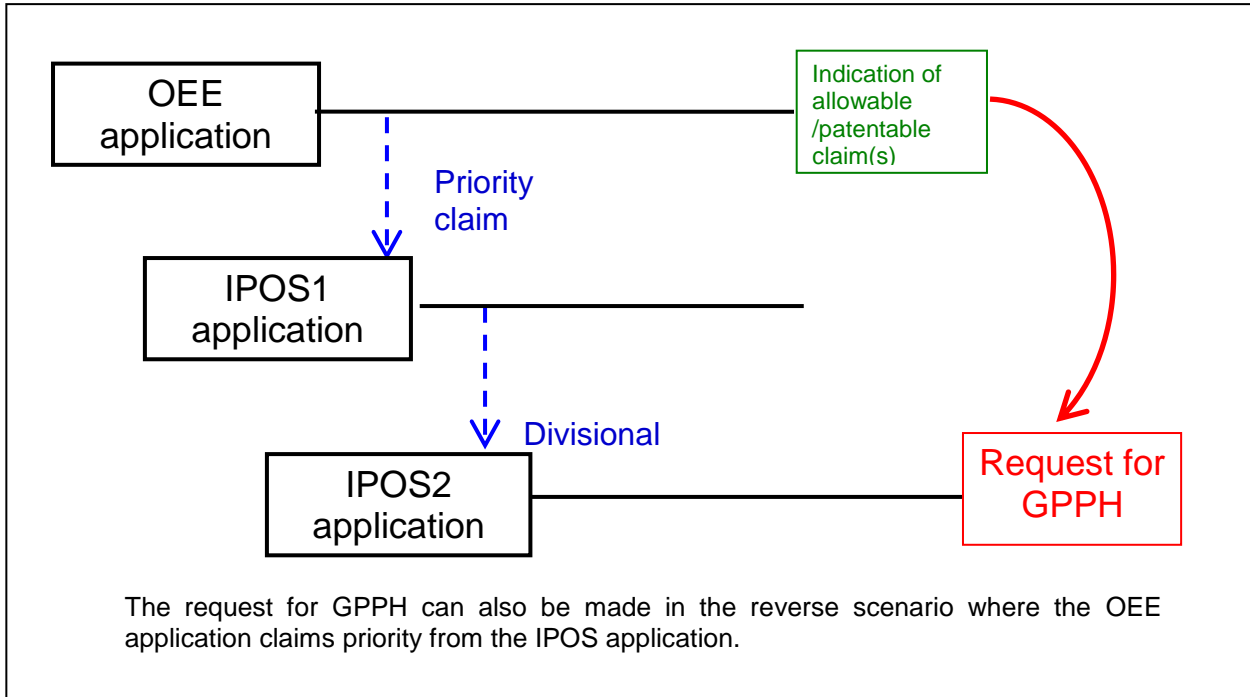
	Global Patent Prosecution Highway Participating Offices	International Searching Authority and International Preliminary Examining Authority
1	IP Australia	Yes
2	Austrian Patent Office	Yes
3	Canadian Intellectual Property Office	Yes
4	Danish Patent and Trademark Office	No
5	Estonian Patent Office	No
6	National Board of Patents and Registration of Finland	Yes
7	German Patent and Trademark Office	No
8	Hungarian Intellectual Property Office	No
9	Icelandic Patent Office	No
10	Intellectual Property Office of New Zealand (IPONZ)	No
11	Israel Patent Office	Yes
12	Japan Patent Office	Yes
13	Korean Intellectual Property Office	Yes
14	Nordic Patent Institute	Yes
15	Norwegian Industrial Property Office	No
16	Patent Office of the Republic of Poland	No
17	Portuguese Institute of Industrial Property	No
18	Russian Federal Service for Intellectual Property	Yes
19	Intellectual Property Office of Singapore	Yes
20	Spanish Patent and Trademark Office	Yes
21	Superintendence of Industry and Commerce (SIC)	No
22	Swedish Patent and Registration Office	Yes
23	United Kingdom Intellectual Property Office	No
24	United States Patent and Trademark Office	Yes

Annex II

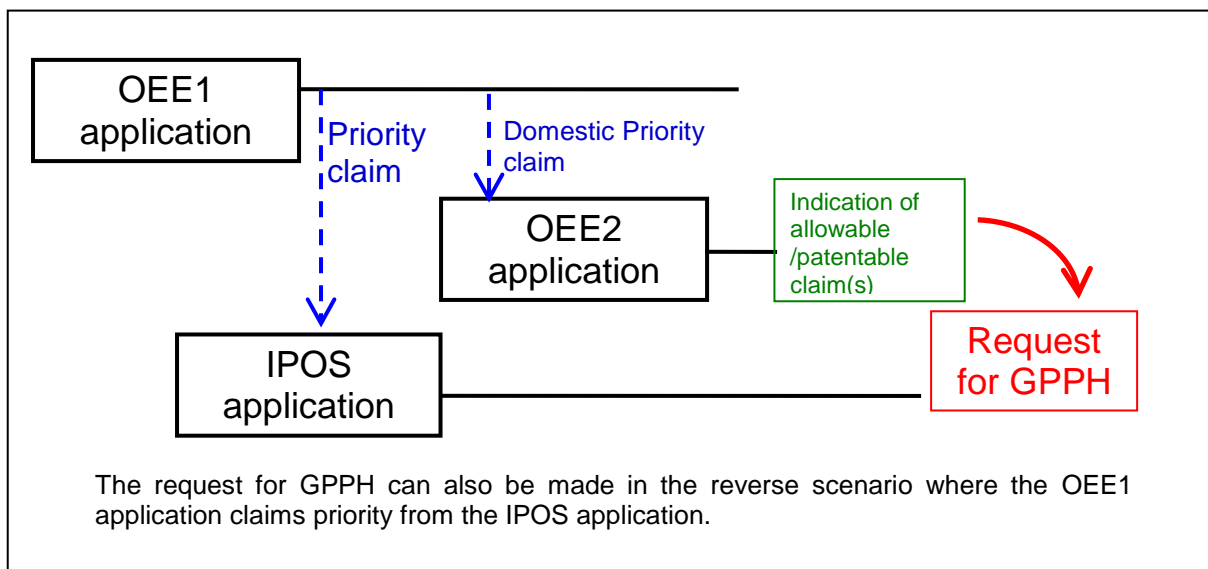
Scenario (1): The IPOS application validly claims priority under section 17 of the Singapore Patents Act (Cap. 221) from the OEE application being relied upon for the GPPH request.



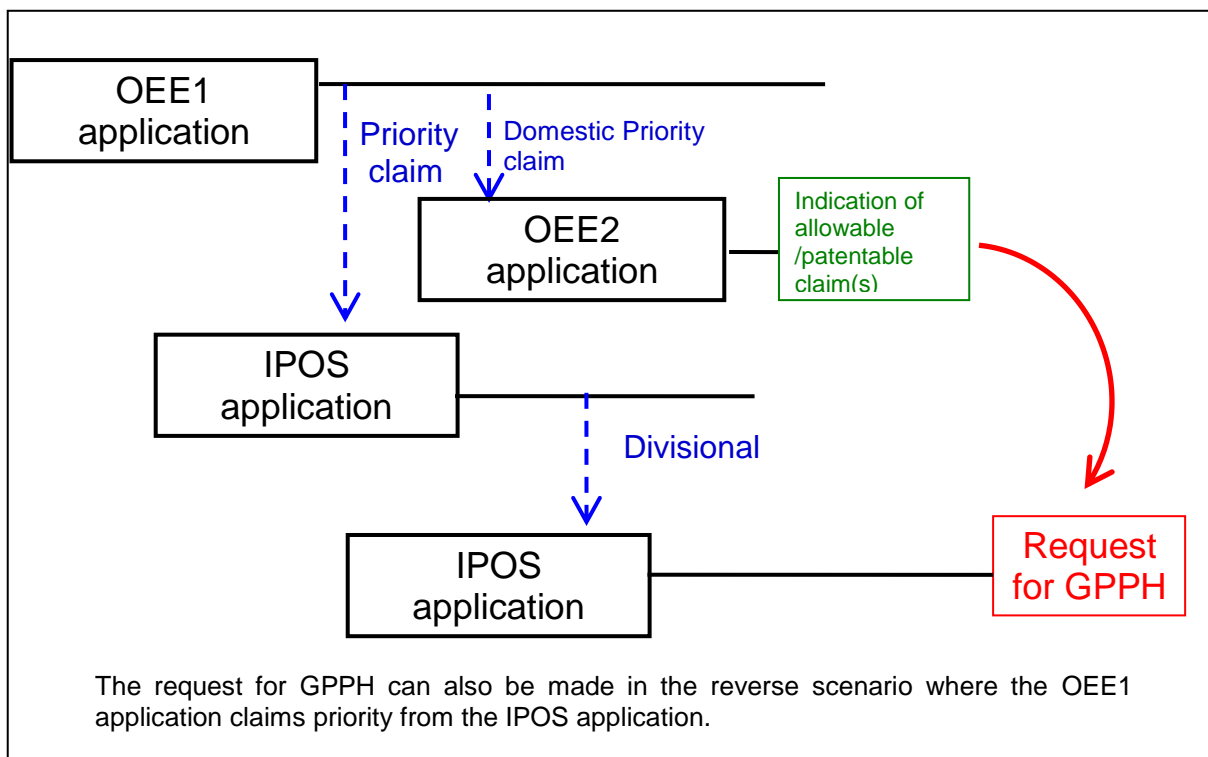
Scenario (2): The IPOS application is a divisional application of the IPOS application referred to in (1) above, and said divisional application validly claims priority under section 17 of the Singapore Patents Act (Cap. 221) from the OEE application being relied upon for the GPPH request.



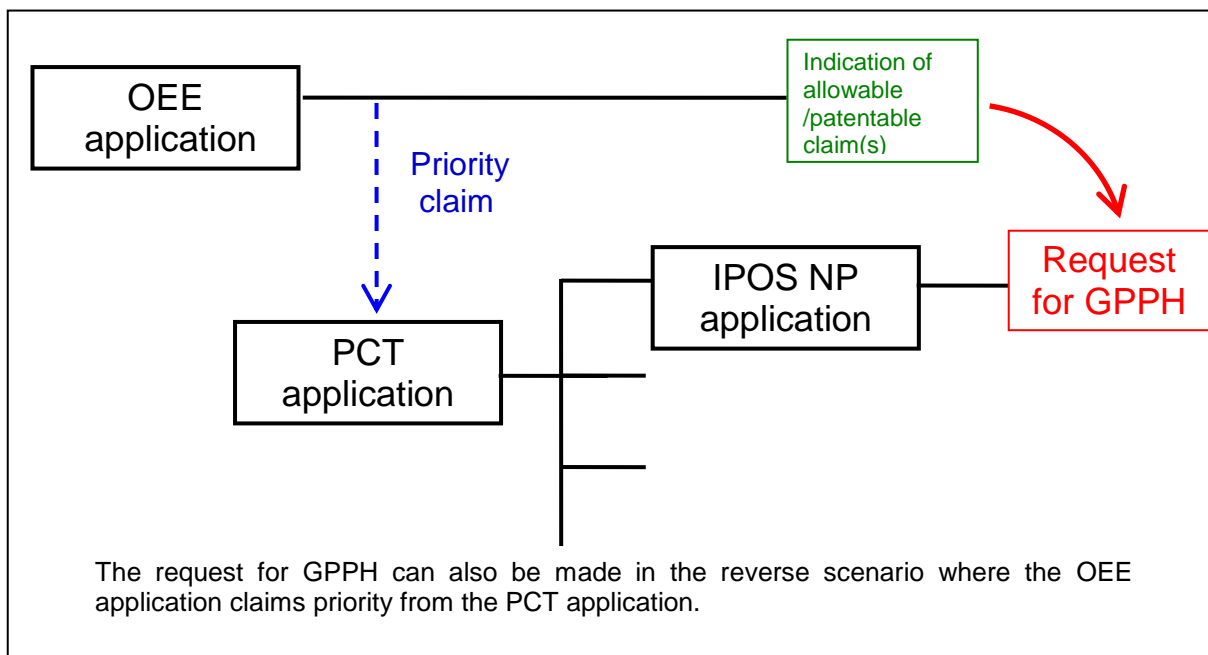
Scenario (3): The IPOS application validly claims priority under section 17 of the Singapore Patents Act (Cap. 221) from the OEE application (“OEE1 application”), and the OEE application being relied upon for the GPPH request (“OEE2 application”) also validly claims domestic priority from OEE1 application.



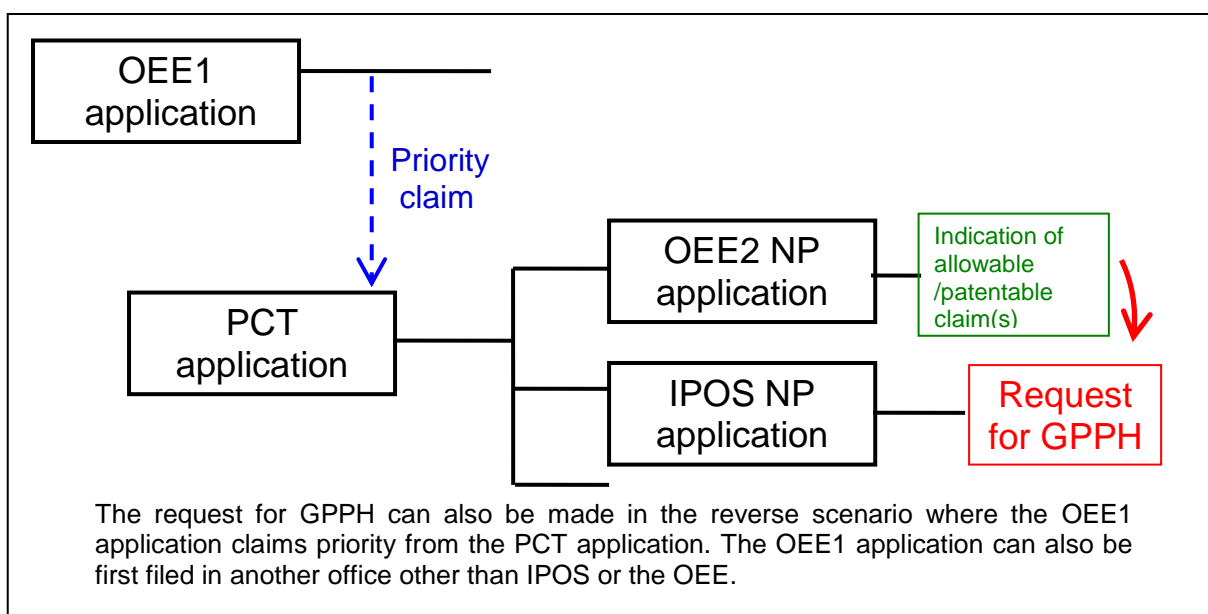
Scenario (4): The IPOS application is a divisional application of the IPOS application referred to in (3) above, and said divisional application validly claims priority under section 17 of the Singapore Patents Act (Cap. 221) from the OEE application (“OEE1 application”), and the OEE application being relied upon for the GPPH request (“OEE2 application”) also validly claims domestic priority from OEE1 application.



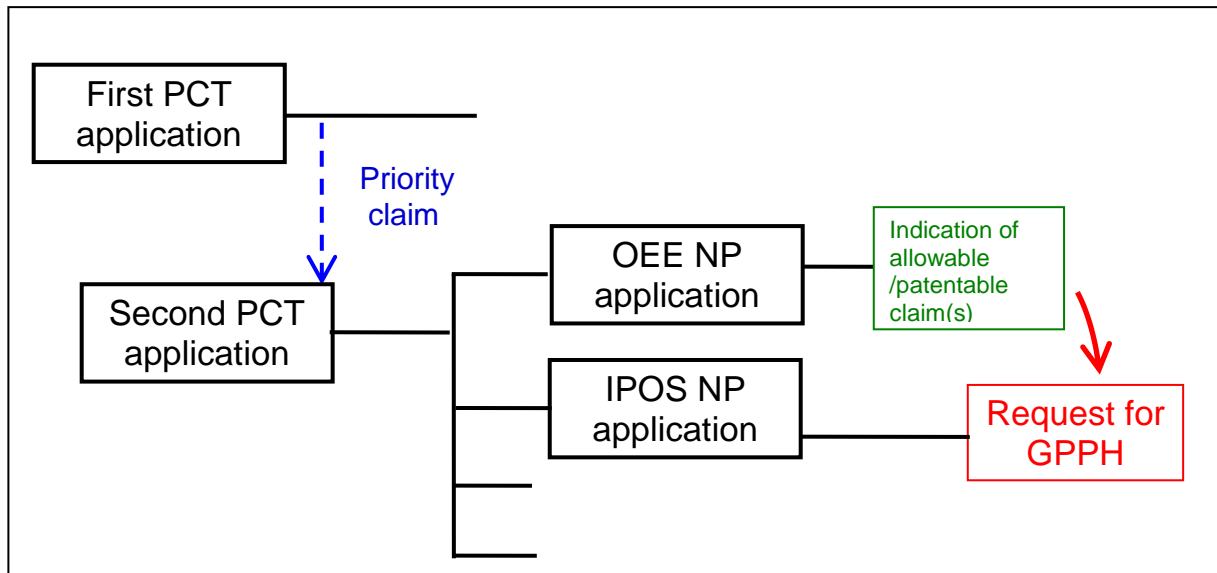
Scenario (5): The IPOS application is a national phase entry of a PCT application (“IPOS NP application”), and the IPOS application validly claims priority under section 17 and section 87 of the Singapore Patents Act (Cap. 221) from the OEE application. The OEE application is being relied on for the GPPH request.



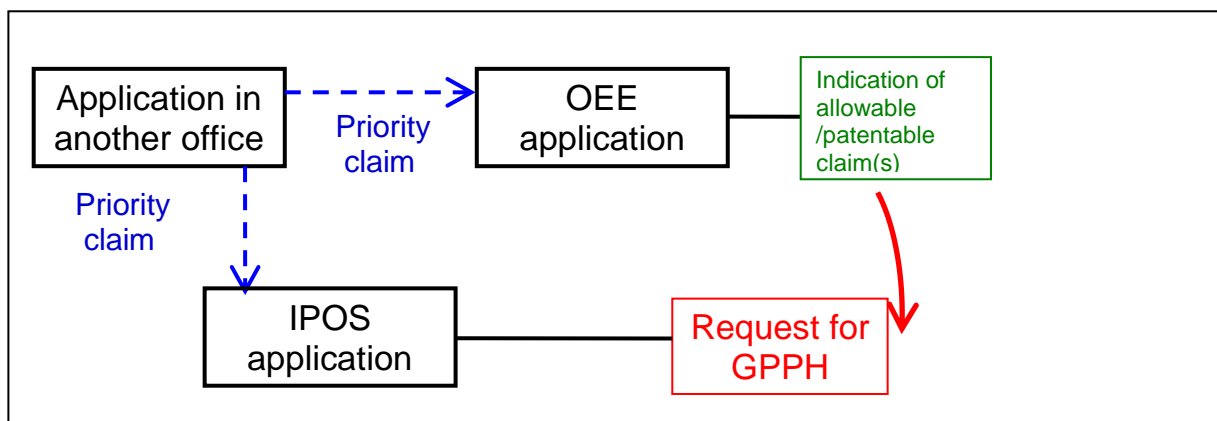
Scenario (6): The IPOS application is a national phase entry of a PCT application (“IPOS NP application”), and the IPOS application validly claims priority under section 17 and section 87 of the Singapore Patents Act (Cap. 221) from the OEE application (“OEE1 application”). The OEE application being relied upon for the GPPH request (“OEE2 NP application”) is a national phase entry of the same PCT application, and OEE2 NP application validly claims priority from OEE1 application.



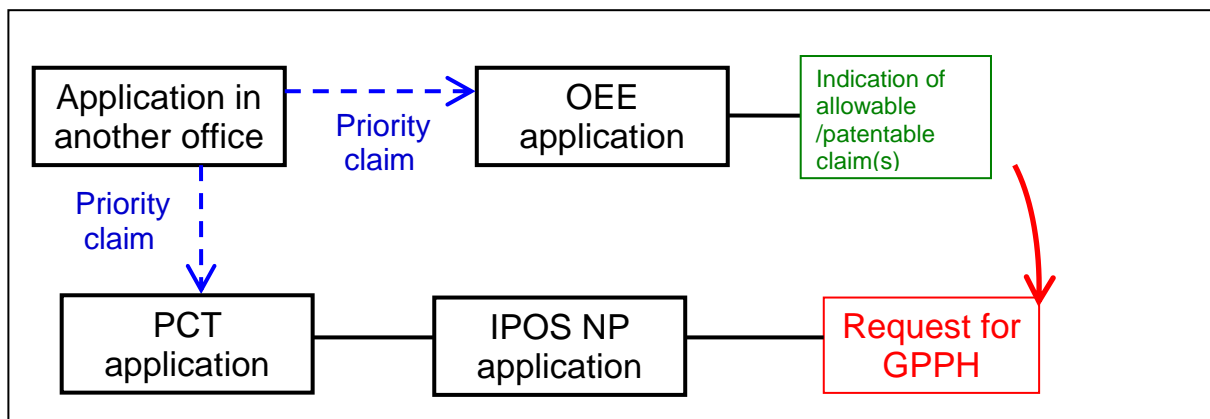
Scenario (7): There are two PCT applications, the second application validly claiming priority from the first application. The IPOS application (“IPOS NP application”) is a national phase entry of the second PCT application, and the IPOS NP application validly claims priority under section 17 and section 87 of the Singapore Patents Act (Cap. 221) from the first PCT application. The OEE application (“OEE NP application”) being relied upon for the GPPH request is a national phase entry of the second PCT application, and the OEE NP application validly claims priority from the first PCT application.



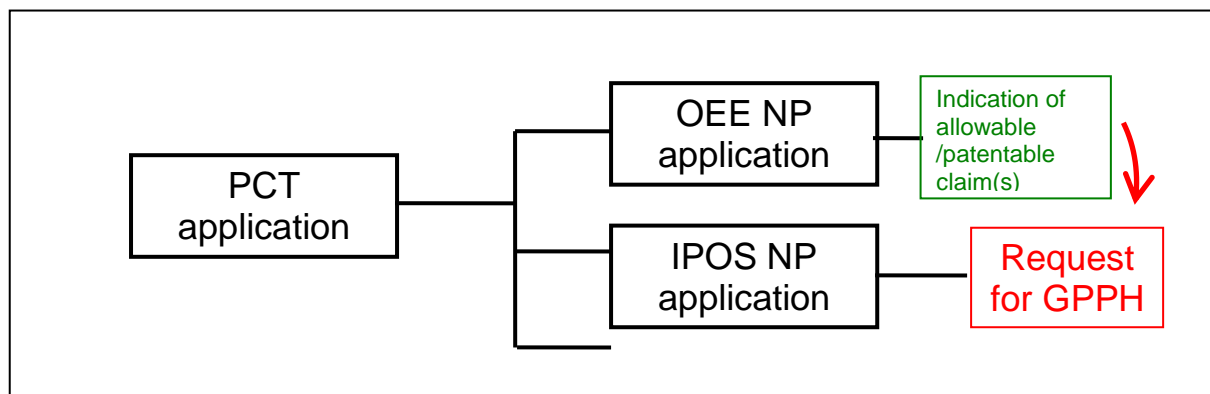
Scenario (8): There is a first application filed in an office other than the IPOS or the OEE. The IPOS application validly claims priority under section 17 of the Singapore Patents Act (Cap. 221) from the first application. The OEE application being relied upon for the GPPH request also validly claims priority from the first application.



Scenario (9): The IPOS application (“IPOS NP application”) is a national phase entry of a PCT application, and the IPOS NP application validly claims priority under section 17 and section 87 of the Singapore Patents Act (Cap. 221) from an application filed in another office. The OEE application being relied upon for the GPPH request also validly claims priority from the application filed in another office.



Scenario (10): The IPOS application (“IPOS NP application”) and the OEE application (“OEE NP application”) being relied upon for the GPPH request, are national phase entries of the same PCT application.



Annex III

Claim Correspondence Table (Global Patent Prosecution Highway)

OFFICE OF EARLIER EXAMINATION (OEE)	
OEE APPLICATION NUMBER	

CLAIMS IN IPOS APPLICATION¹	EXAMINED CLAIMS IN OEE APPLICATION²	EXPLANATION REGARDING THE CORRESPONDENCE

Sheet/....

All the claims in the IPOS application sufficiently correspond to the patentable/allowable claims in the OEE application.

¹ Please indicate the claim number relating to a claim in the current application which corresponds to the allowable/patentable claim in the OEE application.
² Please indicate the claim number relating to a claim that has been determined to be allowable/patentable.

Annex IV

Office	Dossier Access System
IP Australia	AusPat (http://pericles.ipaustralia.gov.au/ols/auspat/)
Canadian Intellectual Property Office	Canadian Patents Database http://www.ic.gc.ca/opic-cipo/cpd/eng/introduction.html
Danish Patent and Trademark Office	PVS online (http://onlineweb.dkpto.dk/pvsonline/patent?action=1&subAction=front&language=GB)
Estonian Patent Office	http://www1.epa.ee/patent/default2eng.asp
German Patent and Trademark Office	https://register.dpma.de/DPMAregister/pat/einsteiger?lang=en For further info see: http://www.dpma.de/english/service/newsandnotices/notices/notice_no12_13/index.html .
Hungarian Intellectual Property Office	http://epub.hpo.hu/e-aktabetekintes/?lang=EN
Intellectual Property Office of New Zealand	IPONZ (https://www.iponz.govt.nz/about-ip/patents/search)
Israel Patent Office	ILPATSEARCH, Israel Patent Office Database http://www.ilpatsearch.justice.gov.il/UI/AdvancedSearch.aspx
Japan Patent Office	AIPN (http://aipn.ipdl.inpit.go.jp/)
Korean Intellectual Property Office	K-PION (http://k-pion.kipo.go.kr/)
Norwegian Industrial Property Office	https://dbsearch2.patentstyret.no/AdvancedSearch.aspx?Category=Patent
Patent Office of the Republic of Poland	Register Plus (http://regserv.uprp.pl/register/simpleSearch?lng=en)
National Board of Patents and Registration of Finland	PatInfo (http://patent.prh.fi/patinfo/default2.asp)
Swedish Patent and Registration Office	http://was.prv.se/spd/search?lang=en
Superintendence of Industry and Commerce	(http://sipi.sic.gov.co/sipi/Extra/Default.aspx?sid=636329534891172414)
United Kingdom Intellectual Property Office	IPSUM (http://www.ipo.gov.uk/p-ipsum.htm)

United States Patent and Trademark Office	public PAIR (http://portal.uspto.gov/pair/PublicPair)
World Intellectual Property Organisation	Patentscope (http://www.wipo.int/pctdb/en/index.jsp)
	WIPO CASE (http://www.wipo.int/case/en/)