

Procedures to File a Request to the China National Intellectual Property Administration (CNIPA) under the Patent Prosecution Highway (PPH) Pilot Program between the CNIPA and the Intellectual Property Office of Singapore (IPOS)

The pilot period of this PPH pilot program commenced on 1 September, 2013 and ending on 31 August, 2026. The pilot period may be extended again if necessary until the CNIPA and IPOS receive the sufficient number of PPH requests to adequately assess the feasibility of PPH program.

The Offices may also suspend or terminate the PPH pilot program if the volume of participation exceeds manageable level, or for any other reason. Ex Ante notice will be published if the PPH pilot program is suspended or terminated.

Applicants can request accelerated examination by a prescribed procedure including submission of relevant documents on an application which is filed with the CNIPA and satisfies the following requirements under the CNIPA-IPOS Patent Prosecution Highway (PPH) pilot program based on the IPOS application.

When filing a request for the PPH pilot program, an applicant must submit a request form “*Request for Participation in the Patent Prosecution Highway (PPH) Pilot Program*” [PPH request] to the CNIPA.

Part I

PPH using the national work products from the IPOS

1. Requirements

- (a) *The CNIPA application (including PCT national phase application) is***
 - (i) *an application which validly claims priority under the Paris Convention to the IPOS application(s) (examples are provided in ANNEX I, Figure A, B,C, F, G and H), or***
 - (ii) *a PCT national phase application without priority claim (example is provided in Annex I, Figure I), or***
 - (iii) *an application which validly claims priority under the Paris Convention to the PCT application(s) without priority claim (examples are provided in ANNEX I, Figure J, K and L), or***
 - (iv) *an application which provides the basis of a valid priority claim under the Paris Convention for the IPOS application(s) (including PCT national phase application(s)) (examples are provided in ANNEX I, Figure R and S)***

The CNIPA application, which validly claims priority to multiple IPOS or direct PCT applications, or which is the divisional application validly based on the originally filed application that is included in (i) to (iv) above, is also eligible (*example is provided in ANNEX I, Figure Q*).

(b) *At least one corresponding application exists in the IPOS and has one or more claims that are determined to be patentable/allowable by the IPOS in a substantive examination carried out in the name of the IPOS.*

The corresponding application(s) can be the application which forms the basis of the priority claim, an application which derived from the IPOS application which forms the basis of the priority claim (e.g., a divisional application of the IPOS application or an application which claims domestic priority to the IPOS application (see Figure C in Annex I)), or a IPOS national phase application of a PCT application (see Figures H, I, J, K and L in Annex I).

Claims are “determined to be allowable/patentable” when they are explicitly identified to be “allowable/patentable” in the latest office action, even if the application is not granted for patent yet.

Office actions mentioned above are:

- Written opinions; or
- Search and Examination reports; or
- Examination reports.

(c) *All claims in the CNIPA application (for which an accelerated examination under the PPH pilot program is requested), as originally filed or as amended, must sufficiently correspond to one or more of those claims determined to be patentable/allowable in the IPOS.*

Claims are considered to “sufficiently correspond” where, accounting for differences due to translations and claim format, the claims in the CNIPA are of the same or similar scope as the claims in the IPOS, or the claims in the CNIPA are narrower in scope than the claims in the IPOS.

In this regard, a claim that is narrower in scope occurs when a IPOS claim is amended to be further limited by an additional technical feature that is supported in the specification (description and/or claims).

A claim in the CNIPA which introduces a new/different category of claims to those claims determined to be patentable/allowable in the IPOS is not considered to sufficiently correspond. For example, the IPOS claims only contain claims to a process of manufacturing a product, then the claims in the CNIPA are not considered to sufficiently correspond if the CNIPA claims introduce product claims that are dependent on the corresponding process claims.

It is not necessary to include “all” claims determined to be patentable/allowable in the IPOS in an application in the CNIPA (the deletion of claims is allowable). For example, in the case where an application in the IPOS contains 5 claims determined to be patentable/allowable, the application in the CNIPA may contain only 3 of these 5 claims. Any claims amended or added after the grant of the request for participation in the PPH pilot program need to sufficiently correspond to the claims indicated as patentable/allowable in the IPOS application when applicants have not received any office action related to substantive examination. Any claims amended or added after the grant of the request for participation in the PPH pilot program need not to sufficiently correspond to the claims indicated as patentable/allowable in the IPOS application when applicants need to amend claims in order to overcome the reasons for refusal raised by examiners. Any amendment outside of the claim correspondence requirement is subject to examiners’ discretion.

Note that any applicant to the CNIPA may amend the application including its claims on its or his own initiative when a request for substantive examination is made, and within the time limit of three months after the receipt of the *Notice of Invention Patent Application Entering into Substantive Examination Stage*. Therefore, an applicant needs to care about the time limit of amendment in order to make claims in the CNIPA application correspond to the claims determined to be patentable/allowable in the IPOS.

(d) *The CNIPA application must have been published.*

The applicant must have received the *Notice of Publication of Invention Patent Application* issued from the CNIPA before, or when, filing the PPH request.

(e) *The CNIPA application must have entered into substantive examination stage.*

The applicant must have received the *Notice of Invention Patent Application Entering into Substantive Examination Stage* issued from the CNIPA before, or when, filing the PPH request.

Note that as an exception, the applicant may file a PPH request simultaneously with the Request for Substantive Examination.

(f) *The CNIPA has not begun examination of the application at the time of request for the PPH.*

The applicant should have not received any office action issued from the substantive examination departments in the CNIPA before, or when, filing the PPH request.

(g) *The CNIPA application must be electronic patent application.*

The applicant must convert the paper based CNIPA application into electronic application

before filing the PPH request.

2. Documents to be submitted

Documents (a) to (c) below must be submitted by attaching to “*Request for Participation in the Patent Prosecution Highway (PPH) Pilot Program*”.

Note that even when it is not needed to submit certain documents below, the name of the documents must be listed in the “*Request for Participation in the Patent Prosecution Highway (PPH) Pilot Program*” (Please refer to the example form below for the details).

- (a) Copies of all office actions (which are relevant to substantive examination for patentability in the IPOS) which were issued for the corresponding application in the name of the IPOS, and translations of them.**

Either Chinese or English is acceptable as translation language. If it is impossible for the examiner to understand the translated office action, the examiner can request the applicant to resubmit translations.

- (b) Copies of all claims determined to be patentable/allowable by the IPOS in a substantive examination carried out in the name of the IPOS, and translations of them.**

Either Chinese or English is acceptable as translation language. If it is impossible for the examiner to understand the translated claims, the examiner can request the applicant to resubmit translations.

- (c) Copies of cited references**

The documents to be submitted are those cited in the above-mentioned office actions. Documents which are only referred to as references and consequently do not constitute reason for refusal do not have to be submitted.

If the references are patent documents, the applicant does not have to submit them¹. When the CNIPA does not possess the patent document, the applicant has to submit the patent document at the examiner’s request. Non-patent literature must always be submitted. The translations of the references are unnecessary.

When the applicant has already submitted above documents (a) to (c) to the CNIPA through simultaneous or past procedures, the applicant may incorporate the documents by

¹Note that even when it is not needed to submit copies of references, the name of the references must be listed in the “*Request for Participation in the Patent Prosecution Highway (PPH) Pilot Program*”.

reference and does not have to attach them.

3. Example of “Request for Participation in the Patent Prosecution Highway (PPH) Pilot Program” for filing request of an accelerated examination under the PPH pilot program

(a) Circumstances

When an applicant files a request for an accelerated examination under the PPH pilot program to the CNIPA, the applicant must submit a request form “*Request for Participation in the Patent Prosecution Highway (PPH) Pilot Program*”.

The applicant must indicate that the application is included in (i) to (iii) of 1.(a), and that the accelerated examination is requested under the PPH pilot program. The application number, publication number, or a patent number of the corresponding IPOS application(s) also must be written.

In the case that the application which has one or more claims that are determined to be patentable/allowable is different from the IPOS application(s) included in (i) to (iii) of 1.(a) (for example, the divisional application of the basic application), the application number, publication number, or a patent number of the application(s) which has claims determined to be patentable/allowable and the relationship between those applications also must be explained.

(b) Documents to be submitted

The applicant must list all required documents mentioned above 2. in an identifiable way, even when the applicant is exempted to submit certain documents.

(c) Claim correspondence

The applicant requesting PPH must indicate in section D of the “*Request for Participation in the Patent Prosecution Highway (PPH) Pilot Program*” how all claims in the CNIPA application sufficiently correspond to the patentable/allowable claims in the IPOS application.

When claims are just literal translations of each other, the applicant can just enter “they are the same” in the table. When claims are not just literal translations, it is necessary to explain the sufficient correspondence of each claim based on the criteria 1.(c) (Please refer to the sample form below).

(d) Notice

An applicant can file the “*Request for Participation in the Patent Prosecution Highway (PPH) Pilot Program*” to the CNIPA through on-line procedures only.

4. Procedure for the accelerated examination under the PPH pilot program

The CNIPA decides whether the application can be entitled to the status for an accelerated examination under the PPH when it receives a request with the documents stated above. When the CNIPA decides that the request is acceptable, the application is assigned a special status for an accelerated examination under the PPH.

In those instances where the request does not meet all the requirements set forth above, the applicant will be notified and the defects in the request will be identified. The applicant may be given opportunity, one time only, to correct certain specified defects. If the request is not approved, the applicant may resubmit the request up to one time. If the resubmitted request is still not approved, the applicant will be notified and the application will await action in its regular turn.

Part II

PPH using the PCT international work products from the IPOS

Applicants can request accelerated examination by a prescribed procedure including submission of relevant documents on an application which is filed with the CNIPA and satisfies the following requirements under the CNIPA-IPOS Patent Prosecution Highway pilot program based on PCT international work products (PCT-PPH pilot program).

When filing a request for the PCT-PPH pilot program, an applicant must submit a request form “*Request for Participation in the Patent Prosecution Highway (PPH) Pilot Program*” [PPH request] to the CNIPA.

1. Requirements

The application which is filed with the CNIPA and on which the applicant files a request under the PCT-PPH must satisfy the following requirements:

- (1) The latest work product in the international phase of a PCT application corresponding to the application (“international work product”), namely the Written Opinion of International Search Authority (WO/ISA), the Written Opinion of International Preliminary Examination Authority (WO/IPEA) or the International Preliminary Examination Report (IPER), indicates at least one claim as patentable/allowable (from the aspect of novelty, inventive steps and industrial applicability).**

Note that the ISA and the IPEA which produced the WO/ISA, WO/IPEA and the IPER are limited to the IPOS, but, if priority is claimed, the priority claim can be to an application in any Office, see example A' in Annex II (application ZZ can be any national application).

The applicant cannot file a request under PCT-PPH on the basis of an International Search Report (ISR) only.

- (2) The relationship between the application and the corresponding international application satisfies one of the following requirements:**

(A) The application is a national phase application of the corresponding international application. (See Figures A, A', and A'' in Annex II)

(B) The application is a national application as a basis of the priority claim of the corresponding international application. (See Figure B in Annex II)

(C) The application is a national phase application of an international application claiming priority from the corresponding international application. (See Figure C in Annex II)

(D) The application is a national application claiming foreign/domestic priority from the corresponding international application. (See Figure D in Annex II)

(E) The application is the derivative application (divisional application and application claiming domestic priority etc.) of the application which satisfies one of the above requirements (A) – (D). (See Figures E1 and E2 in Annex II)

(3) All claims on file, as originally filed or as amended, for examination under the PCT-PPH must sufficiently correspond to one or more of those claims indicated to be patentable/allowable in the latest international work product of the corresponding international application.

Claims are considered to "sufficiently correspond" where, accounting for differences due to translations and claim format, the claims of the application are of the same or similar scope as the claims indicated to be patentable/allowable in the latest international work product, or the claims of the application are narrower in scope than the claims indicated to be patentable/allowable in the latest international work product.

In this regard, a claim that is narrower in scope occurs when a claim indicated to be patentable/allowable in the latest international work product is amended to be further limited by an additional feature that is supported in the specification (description and/or claims) of the application.

A claim of the application which introduces a new/different category of claims to those claims indicated to be patentable/allowable in the latest international work product is not considered to sufficiently correspond. For example, the claims indicated to be patentable/allowable in the latest international work product only contain claims to a process of manufacturing a product, then the claims of the application are not considered to sufficiently correspond if the claims of the application introduce product claims that are dependent on the corresponding process claims.

It is not necessary to include "all" claims determined to be patentable/allowable in the corresponding international application in an application in the CNIPA (the deletion of claims is allowable). For example, in the case where the corresponding international application contains 5 claims determined to be patentable/allowable, the application in the CNIPA may contain only 3 of these 5 claims.

Any claims amended or added after the grant of the request for participation in the PCT-PPH pilot program need to sufficiently correspond to the claims indicated as patentable/allowable in the latest international work product when applicants have not received any office action related to substantive examination. Any claims amended or added after the grant of the request for participation in the PCT-PPH pilot program need not to sufficiently correspond to the claims indicated as patentable/allowable in the latest international work product when applicants need to amend claims in order to overcome the reasons for refusal raised by examiners. Any

amendment outside of the claim correspondence requirement is subject to examiners' discretion.

Note that any applicant to the CNIPA may amend the application including its claims on its or his own initiative when a request for substantive examination is made, and within the time limit of three months after the receipt of the *Notice of Invention Patent Application Entering into Substantive Examination Stage*. Therefore, an applicant needs to care about the time limit of amendment in order to make claims in the CNIPA application correspond to claims determined to be patentable/allowable in the latest international work product.

(4) The application must have been published.

The applicant must have received the *Notice of Publication of Invention Patent Application* issued from the CNIPA before, or when, filing the PPH request.

(5) The application must have entered into substantive examination stage.

The applicant must have received the *Notice of Invention Patent Application Entering into Substantive Examination Stage* issued from the CNIPA before, or when, filing the PPH request. Note that as an exception, the applicant may file a PPH request simultaneously with the Request for Substantive Examination.

(6) The CNIPA has not begun examination of the application at the time of request for the PCT-PPH.

The applicant should have not received any office action issued from the substantive examination departments in the CNIPA before, or when, filing the PCT-PPH request.

(7) The application must be electronic patent application.

2. Documents to be submitted

The applicant must submit the following documents attached to the request form in filing a request under PCT-PPH. Some of the documents may not be required to submit in certain cases.

Note that even when it is not needed to submit certain documents below, the name of the documents must be listed in the "*Request for Participation in the Patent Prosecution Highway (PPH) Pilot Program*" (Please refer to the Example form below for the details).

(1) A copy of the latest international work product which indicated the claims to be patentable/allowable and their Chinese or English translations.

In case the application satisfies the relationship 1.(2)(A), the applicant need not submit a copy

of the International Preliminary Report on Patentability (IPRP) and any English translations thereof because a copy of these documents is already contained in the file-wrapper of the application². In addition, if the copy of the latest international work product and the copy of the translation are available via “PATENTSCOPE (registered trademark)”³, an applicant need not submit these documents, unless otherwise requested by the CNIPA.

(WO/ISA and IPER are usually available as “IPRP Chapter I” and “IPRP Chapter II” respectively in 30 months after the priority date.)

If it is impossible for the examiner to understand the translated international work product, the examiner can request the applicant to resubmit translations.

(2) A copy of a set of claims which the latest international work product of the corresponding international application indicated to be patentable/allowable and their Chinese or English translations.

If the copy of the set of claims which are indicated to be patentable/allowable is available via “PATENTSCOPE (registered trademark)”⁴ (e.g. the international Patent Gazette has been published), an applicant need not submit this document unless otherwise requested by the CNIPA.

If it is impossible for the examiner to understand the translated claims, the examiner can request the applicant to resubmit translations.

(3) A copy of references cited in the latest international work product of the international application corresponding to the application.

Documents which are only referred to as references and consequently do not consist of the reasons for refusal do not have to be submitted.

If the reference is a patent document, the applicant is not required to submit it⁵. In case the CNIPA has difficulty in obtaining the document, however, the applicant may be asked to submit it. Non-patent literature must always be submitted. Translations of cited references are unnecessary.

When an applicant has already submitted the above mentioned documents (1) - (3) to the CNIPA through simultaneous or past procedures, the applicant may incorporate the documents by reference and is thus not required to attach the documents.

²Note that even when it is not needed for the applicant to submit copies of the latest international work product and their translation, the name of the document must be listed in the “Request for Participation in the Patent Prosecution Highway Pilot Program”.

³<http://www.wipo.int/pctdb/en/index.jsp>

⁴<http://www.wipo.int/pctdb/en/index.jsp>

⁵Note that even when it is not needed to submit copies of references, the name of the references must be listed in the “Request for Participation in the Patent Prosecution Highway (PPH) Pilot Program”.

3. “Request for Participation in the Patent Prosecution Highway (PPH) Pilot Program” for filing request of an accelerated examination under the PCT-PPH pilot program

(1) Circumstances

The applicant must indicate that the application is included in (A) to (E) of 1.(2), and that the accelerated examination is requested under the PCT-PPH pilot program. The application number(s) of the corresponding international application(s) also must be written.

(2) Documents to be submitted

The applicant must list all required documents mentioned above 2. in an identifiable way, even when applicant omits to submit certain documents.

(3) Claim correspondence

The applicant requesting PCT-PPH must indicate in section D of the “Request for Participation in the Patent Prosecution Highway (PPH) Pilot Program” how all claims in the CNIPA application sufficiently correspond to the patentable/allowable claims in the IPOS application. When claims are just literal translations of each other, the applicant can just enter “they are the same” in the table. When claims are not just literal translations, it is necessary to explain the sufficient correspondence of each claim based on the criteria 1.(3) (Please refer to the sample form below).

(4) Notice

An applicant can file the “Request for Participation in the Patent Prosecution Highway (PPH) Pilot Program” to the CNIPA through on-line procedures only.

4. Procedure for the accelerated examination under the PPH pilot program

The CNIPA decides whether the application can be entitled to the status for an accelerated examination under the PCT-PPH when it receives a request with the documents stated above. When the CNIPA decides that the request is acceptable, the application is assigned a special status for an accelerated examination under the PCT-PPH.

In those instances where the request does not meet all the requirements set forth above, the applicant will be notified and the defects in the request will be identified. The applicant may be given opportunity, one time only, to correct certain specified defects. If the request is not approved, the applicant may resubmit the request up to one time. If the resubmitted request is still not approved, the applicant will be notified and the application will await action in its regular turn.

Sample Form

参与专利审查高速路（PPH）试点项目请求表

PPH

Request for participation in the Patent Prosecution Highway (PPH) Pilot Program

A. 著录数据	
申请号	
B. 请求	
申请人请求参与专利审查高速路（PPH）试点项目基于：	
在先审查局（OEE）	
OEE 工作结果类型	<input type="checkbox"/> 国家/地区的审查意见
	<input type="checkbox"/> WO-ISA, WO-IPEA 或 IPER
OEE 申请号	
本申请与 OEE 申请的关系	
C. 文件提交	
第 I 栏 OEE 工作结果及其所需译文	
1.	<input type="checkbox"/> 提交了 OEE 工作结果的副本 <input type="checkbox"/> 请求通过案卷访问系统或 PATENTSCOPE 获取上述文件
2.	<input type="checkbox"/> 提交了 1 之所述文件的译文 <input type="checkbox"/> 请求通过案卷访问系统或 PATENTSCOPE 获取上述文件
第 II 栏 OEE 认定为可授权的所有权利要求的副本及其所需译文	
3.	<input type="checkbox"/> 提交了 OEE 认定为可授权的所有权利要求的副本 <input type="checkbox"/> 请求通过案卷访问系统或 PATENTSCOPE 获取上述文件
4.	<input type="checkbox"/> 提交了 3 之所述文件的译文 <input type="checkbox"/> 请求通过案卷访问系统或 PATENTSCOPE 获取上述文件
第 III 栏 OEE 工作结果引用的文件	
5.	<input type="checkbox"/> 提交了 OEE 工作结果引用的所有文件的副本（专利文献除外） <input type="checkbox"/> 无引用文件
第 IV 栏已提交文件	
6.	<input type="checkbox"/> 若上述某些文件已经提交，请予说明： 申请人于__年__月__日在 CN_____中提交了_____文件
D. 权利要求对应性	

本申请的所有权利要求与 OEE 申请中可授权的权利要求充分对应

在下表中解释权利要求对应性

本申请的权利要求	对应的 OEE 权利要求	关于对应性的解释

E. 说明事项

1. OEE 工作结果的副本名称如下：
 - a. OEE 申请_____；
 - 1) 由__于__年__月__日作出的_____
 - 2) 由__于__年__月__日作出的_____
2. OEE 工作结果引用的文件的副本名称如下：
 - 1) _____
 - 2) _____
3. 特殊项的解释说明：

申请人或其代理人

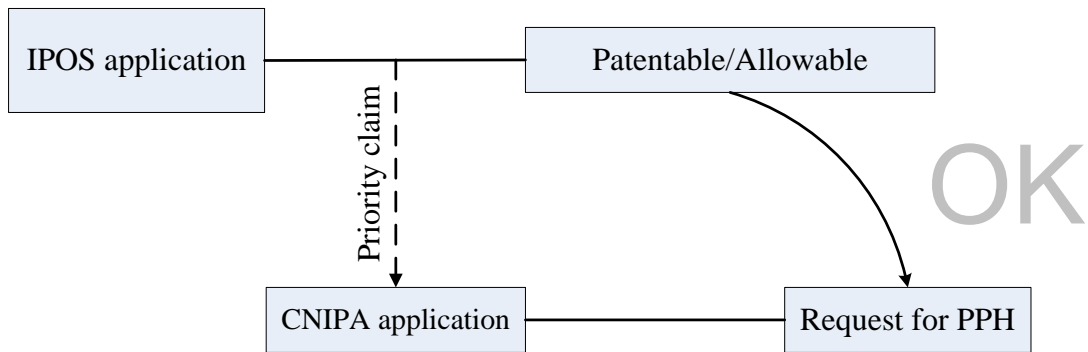
日期

--	--

ANNEX I

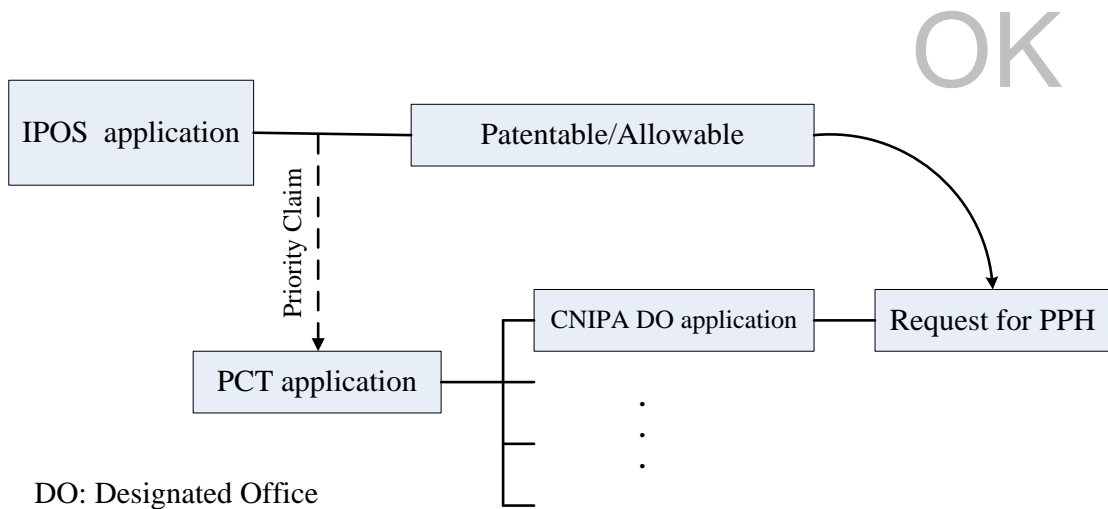
A

A case meeting requirement (a) (i)
- Paris route -



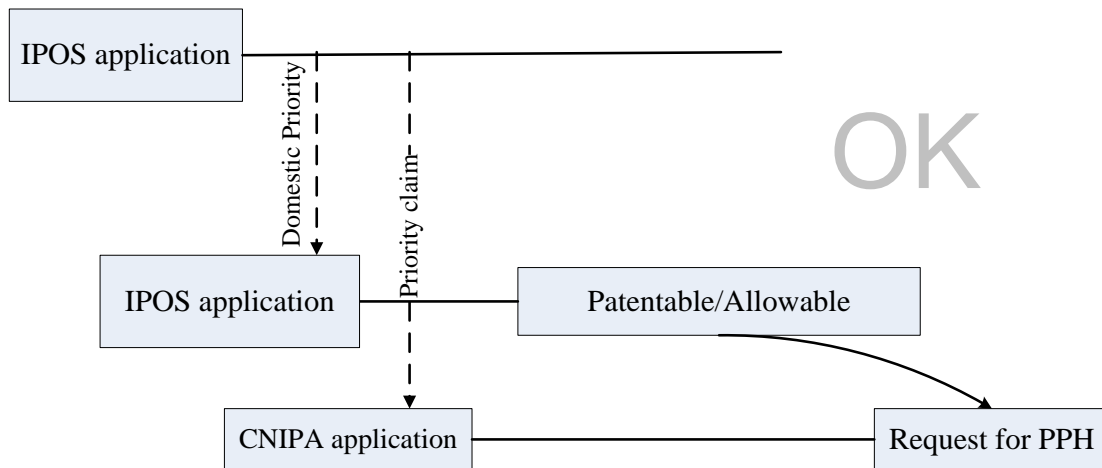
B

A case meeting requirement (a) (i)
- PCT route -



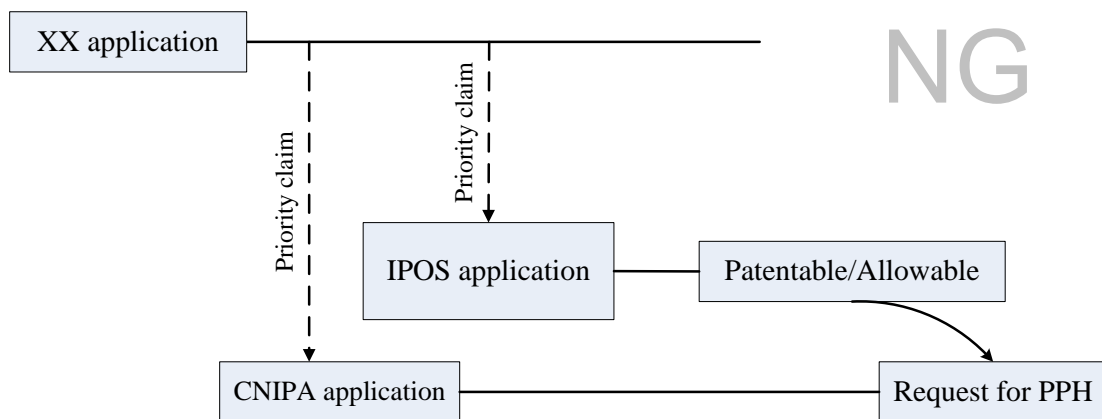
C

A case meeting requirement (a) (i)
- Paris route, Domestic priority -



D

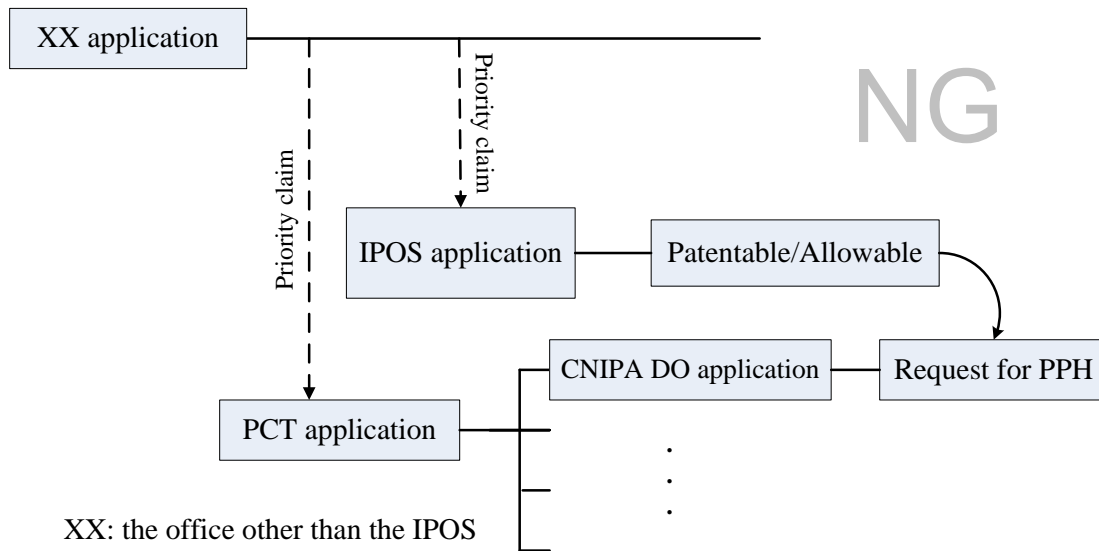
A case not meeting requirement (a)
- Paris route, but the first application is from the third country -



XX: the office other than the IPOS

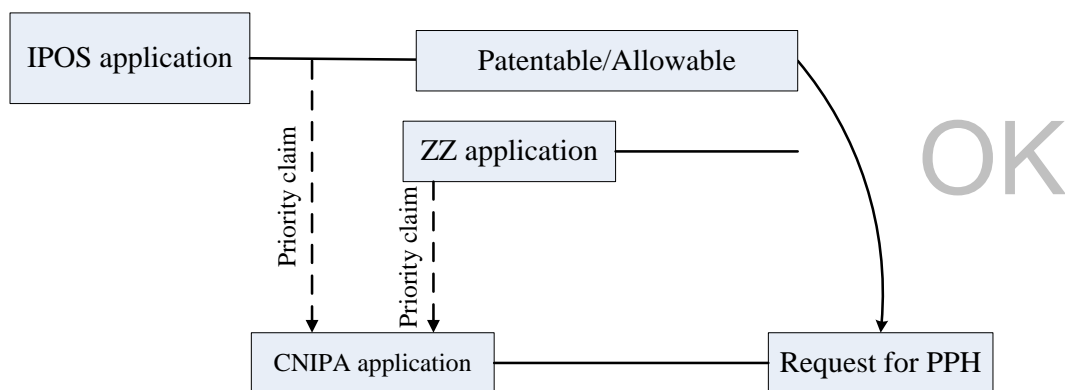
E

A case not meeting requirement (a)
- PCT route, but the first application is from the third country -



F

A case meeting requirement (a) (i)
- Paris route & complex priority -

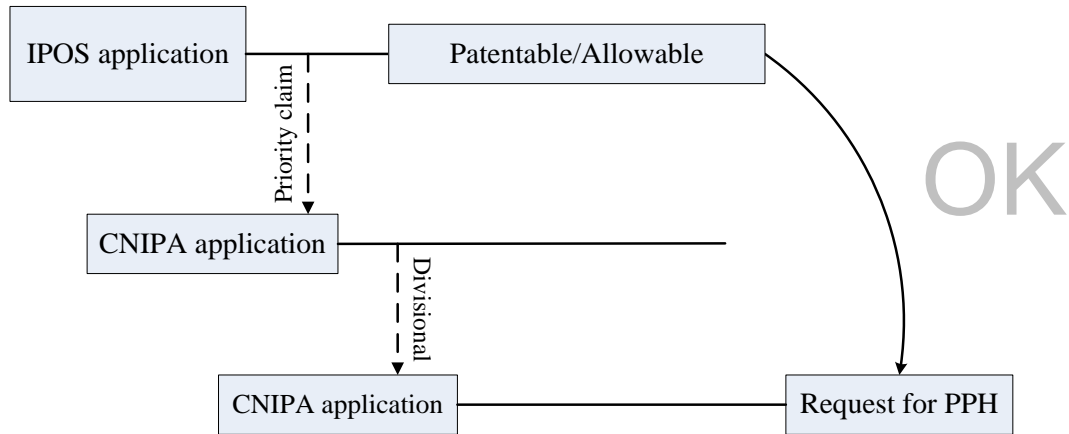


ZZ: any office

(The first application is from the IPOS)

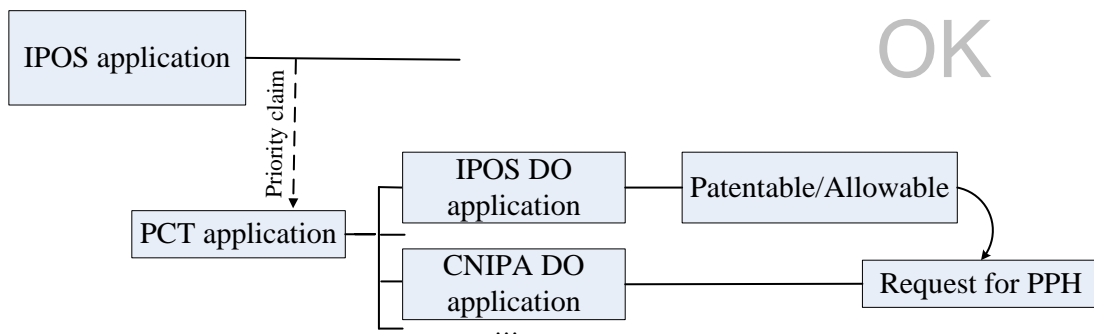
G

A case meeting requirement (a) (i)
- Paris route & divisional application -



H

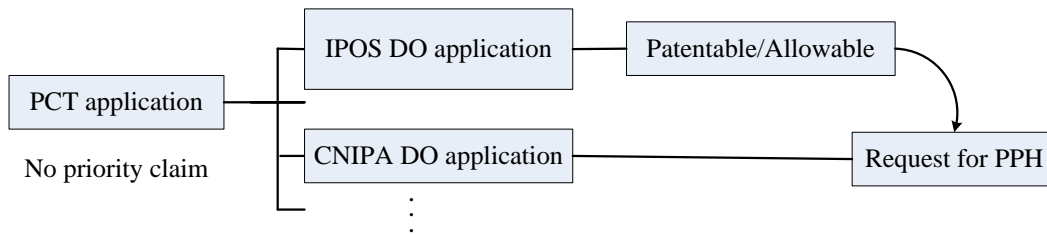
A case meeting requirement (a) (i)
- PCT route -



I

A case meeting requirement (a) (ii)
- Direct PCT route -

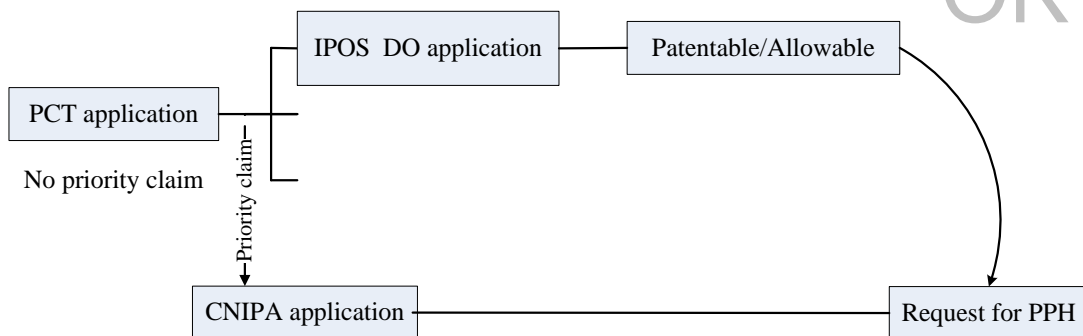
OK



J

A case meeting requirement (a) (iii)
- Direct PCT & Paris route -

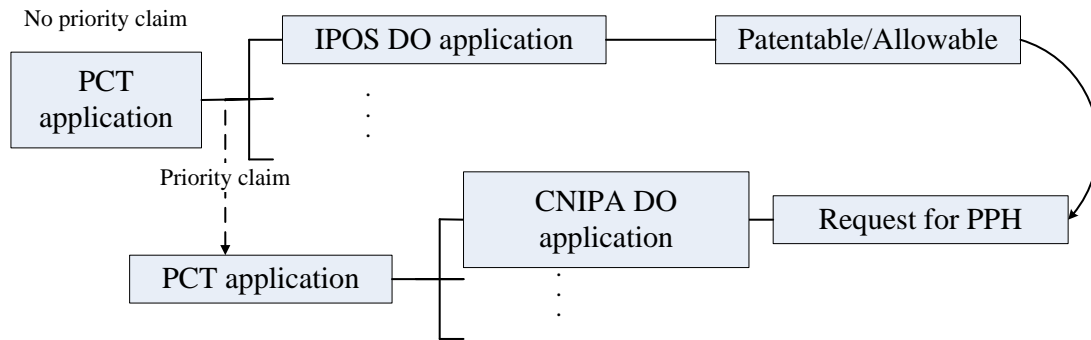
OK



K

A case meeting requirement (a) (iii)
- Direct PCT & PCT route -

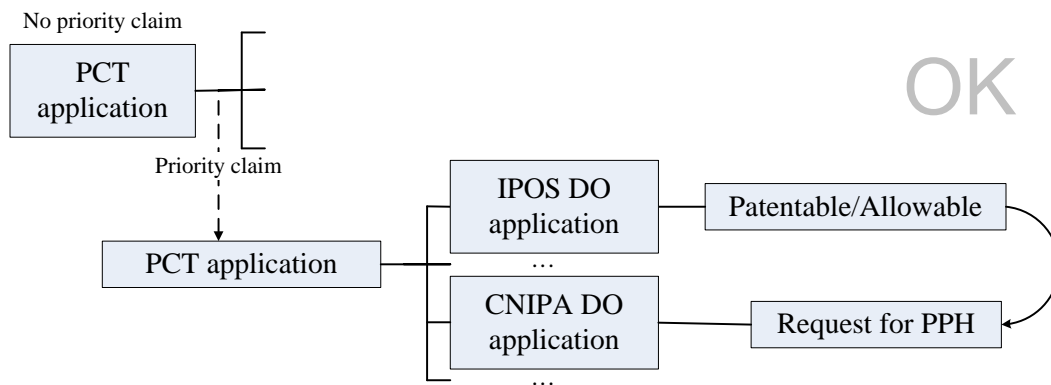
OK



L

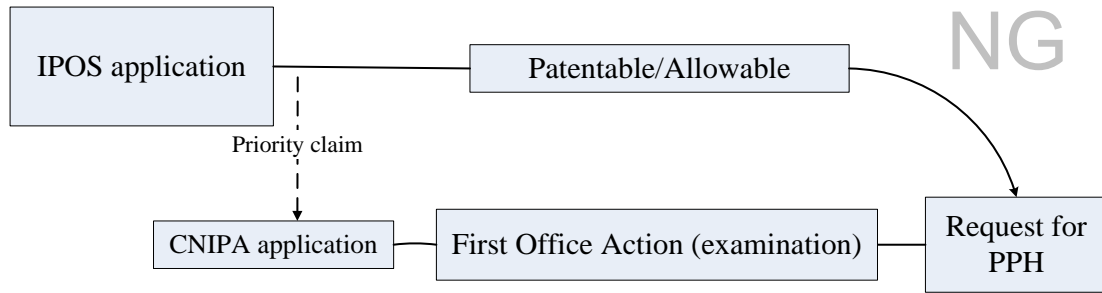
A case meeting requirement (a) (iii)
- Direct PCT & PCT route -

OK



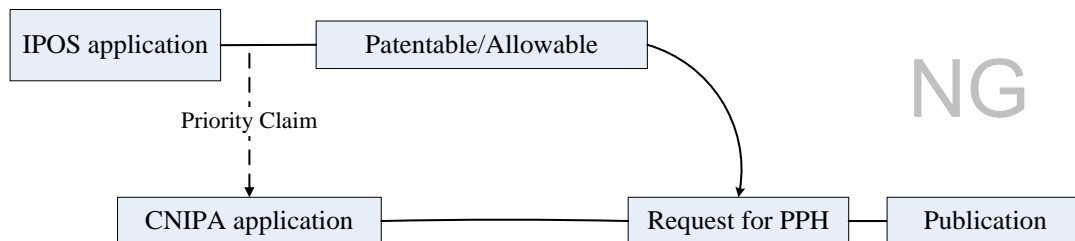
M

A case not meeting requirement (f)
- Examination has begun before a request for PPH -



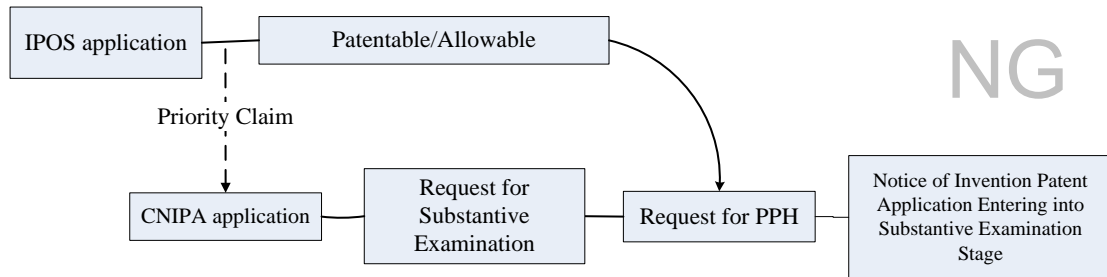
N

A case not meeting requirement (d)
- The application has not been published at the time of request for PPH -



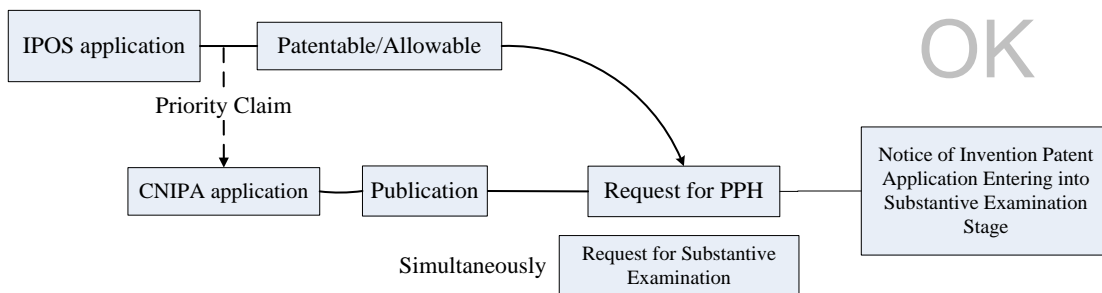
O

A case not meeting requirement (e)
- The application has not entered into substantive examination stage at the time of request for PPH -



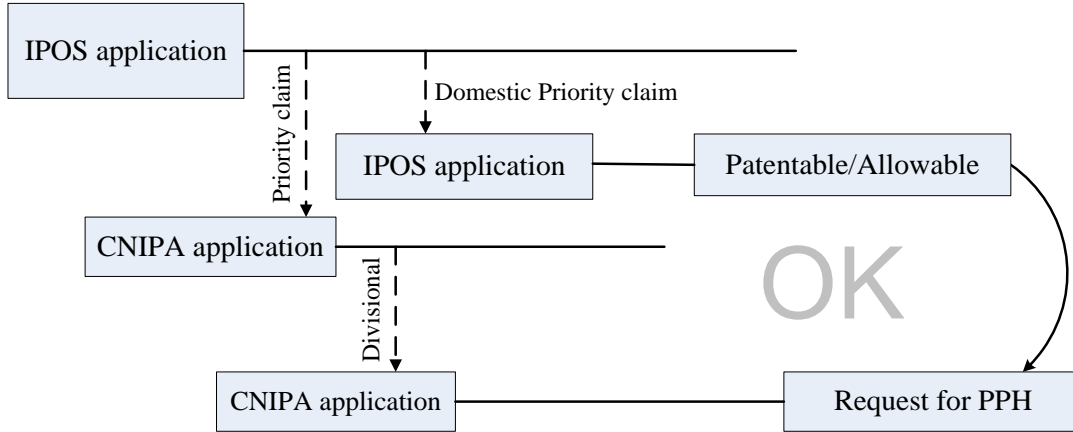
P

A case meeting requirement (e) (exception)
- PPH request simultaneously with the Request for Substantive Examination -



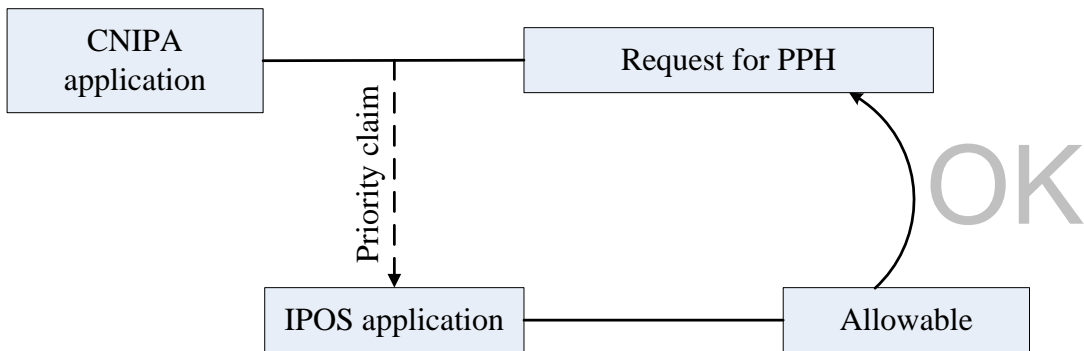
Q

A case meeting requirement (a) (i)
- Paris route & divisional application, Domestic priority -



R

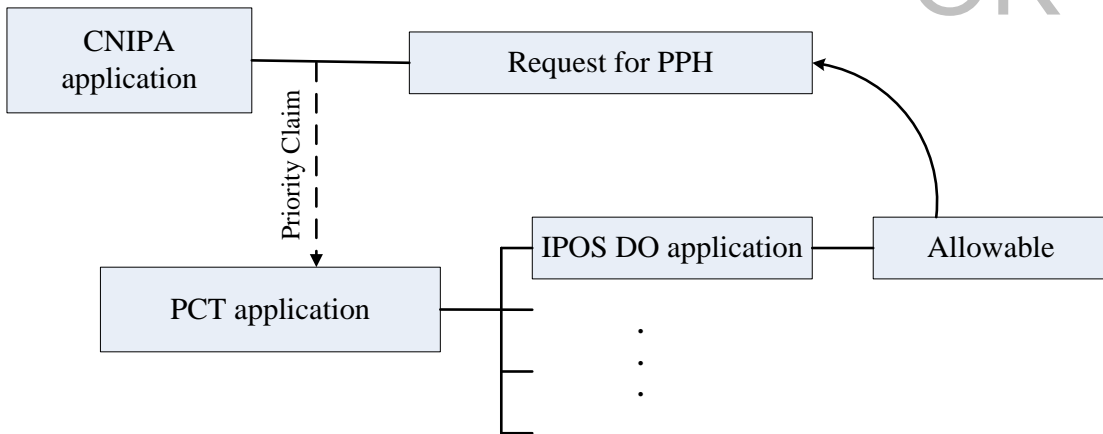
A case meeting requirement (a) (iv)
- Paris route -



S

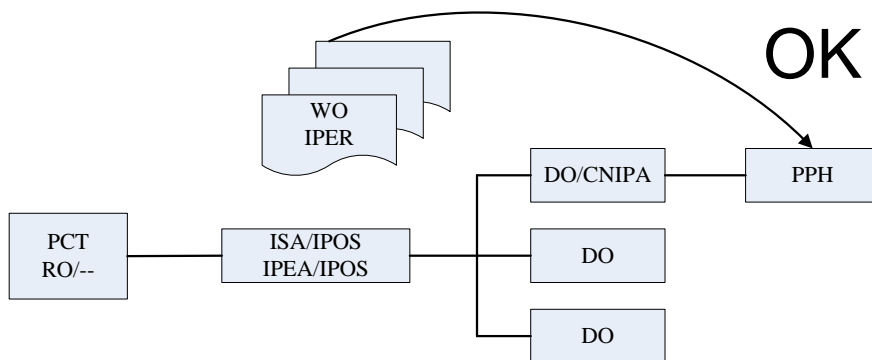
A case meeting requirement (a) (iv)
- PCT route -

OK

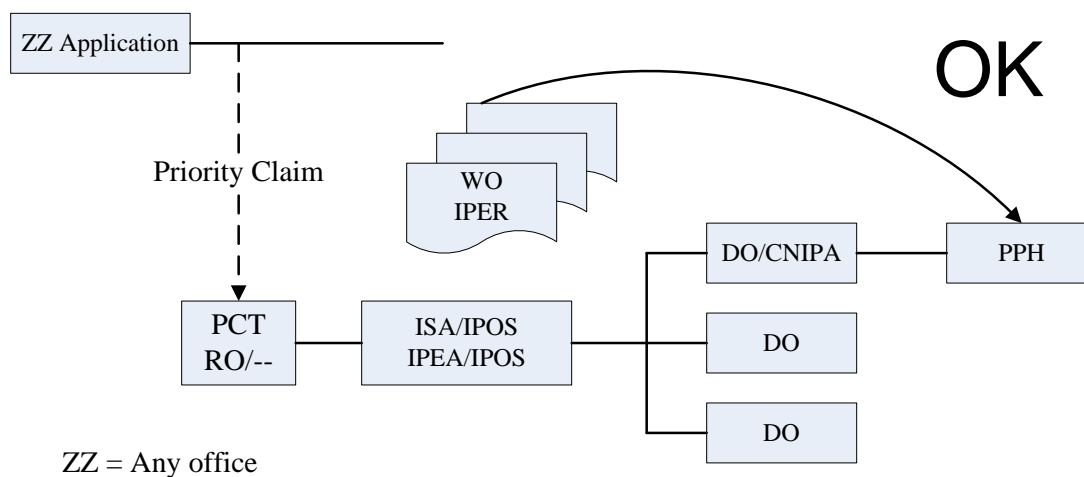


ANNEX II

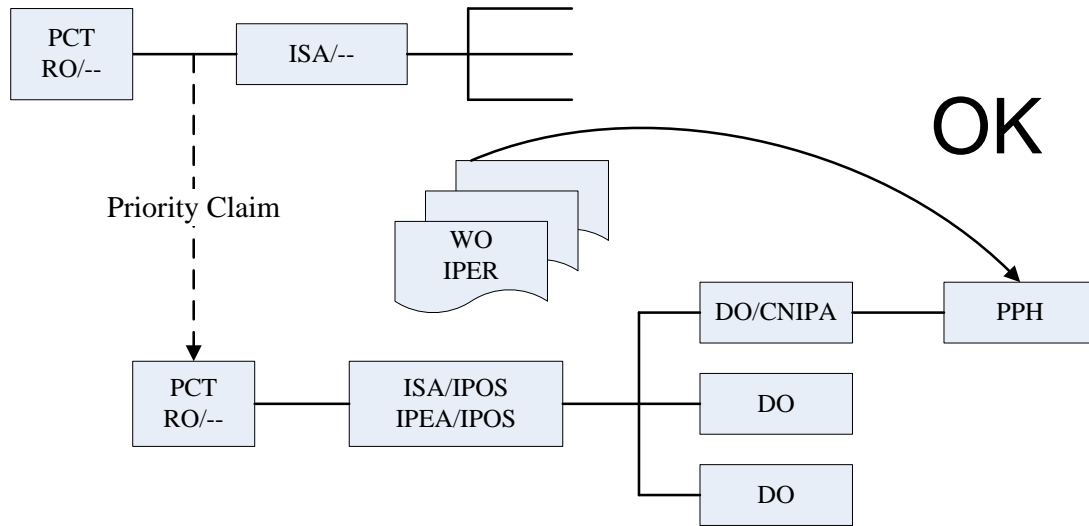
(A) The application is a national phase application of the corresponding international application.



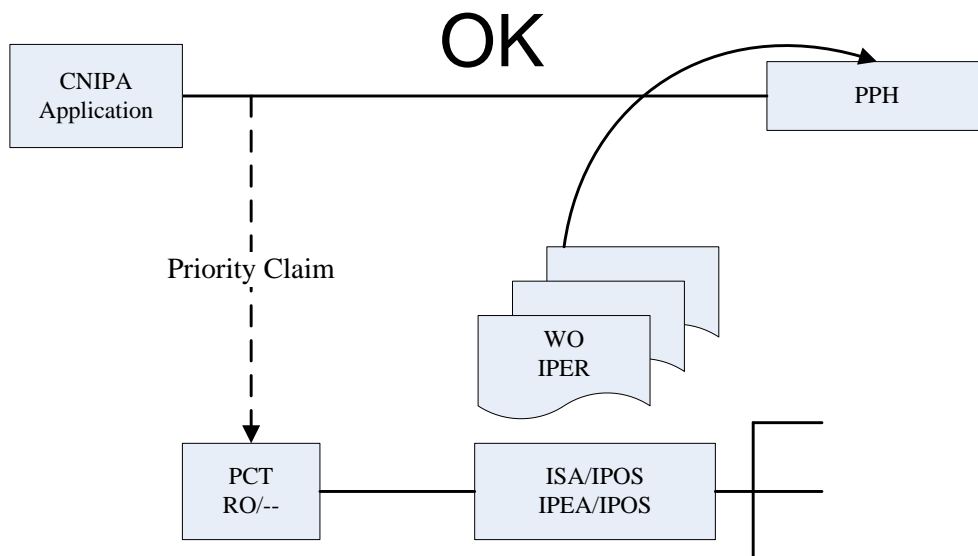
**(A') The application is a national phase application of the corresponding international application.
(The corresponding international application claims priority from a national application.)**



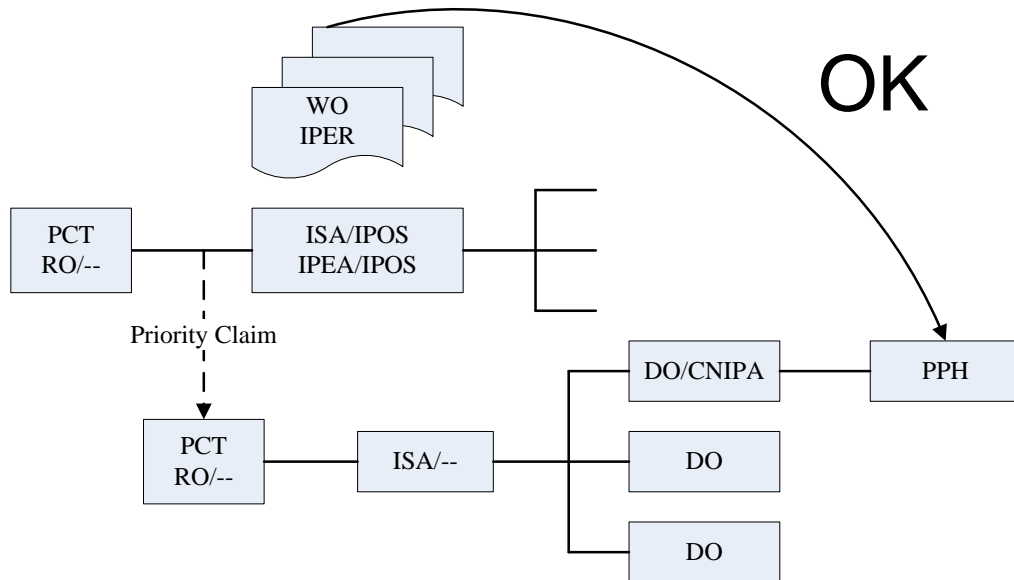
**(A'') The application is a national phase application of the corresponding international application.
(The corresponding international application claims priority from an international application.)**



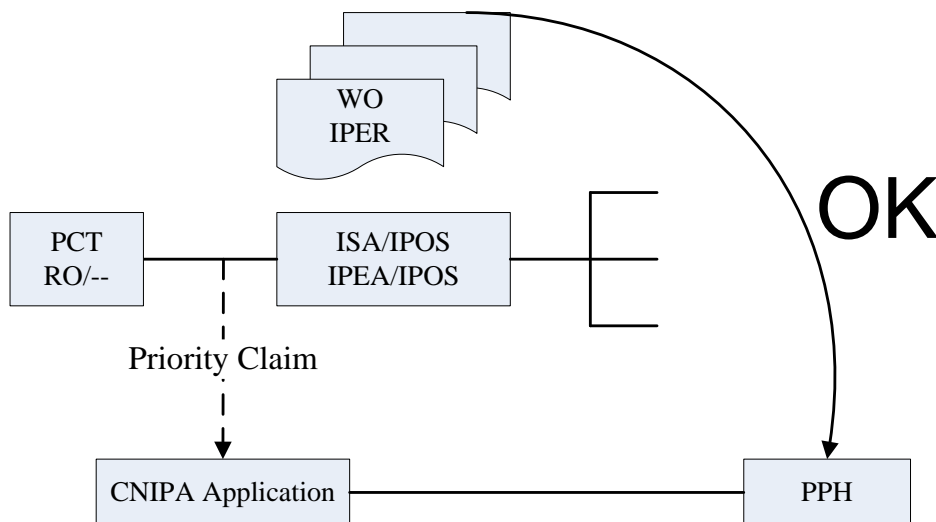
(B) The application is a national application as a basis of the priority claim of the corresponding international application.



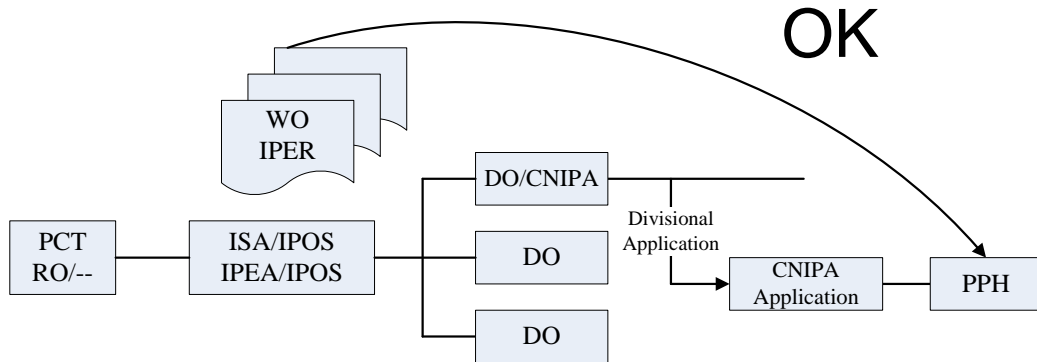
(C) The application is a national phase application of an international application claiming priority from the corresponding international application.



(D) The application is a national application claiming foreign/domestic priority from the corresponding international application.



(E1) The application is a divisional application of an application which satisfies the requirement (A).



(E2) The application is an application claiming domestic priority from an application which satisfies the requirement (B).

